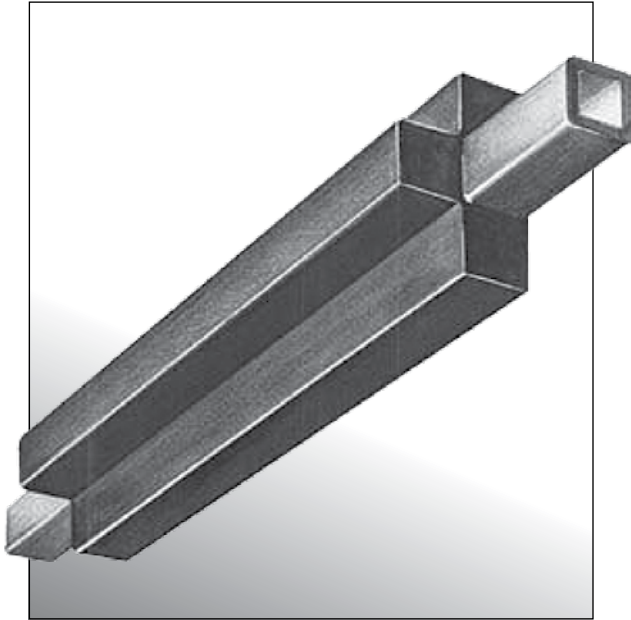




T-BAR BELT CLEANER



The T-Bar Belt Cleaner offers an excellent balance in cost and wear performance.

FEATURES:

- Compounded out of a blend of SBR
- Long wear life at a lower price than other systems
- Fits into many competitive holders
- 3 wear surfaces reduces the number of change outs that are required
- Molded with a square walled metal tube that has a 3/16" wall thickness on belt widths to 32" and 1/4" on 40" belts and above

PROPERTIES

Elastomer	NR 70% SBR 30%		
Tensile Strength	19.0 Mpa	2755 PSI	DIN53504
Elongation at Break	550%		DIN53504
Density	1.10 g / cm ³		DIN53505
Hardness	65 Shore A		DIN53505

PRODUCT CODE	Belt Width		"E" Length		"D" Rubber		Wear "A"		Width "C"		Height "B"	
	in	mm	in	mm	in	mm	in	mm	in	mm	in	mm
T BAR UNIT												
CF-TB-20	20	500	30 3/4	770	19 1/4	490	1 1/4	30	3 3/4	95	2 1/2	62
CF-TB-26	26	650	36 1/2	925	25	635	1 1/4	30	3 3/4	95	2 1/2	62
CF-TB-32	32	800	42 1/2	1075	31	787	1 1/4	30	3 3/4	95	2 1/2	62
CF-TB-40	40	1000	50	1270	38 1/2	975	1 1/2	40	4 1/2	115	3	75
CF-TB-48	48	1200	58	1470	46 1/2	1180	1 1/2	40	4 1/2	115	3	75
CF-TB-56	56	1400	66	1670	54 1/2	1380	1 1/2	40	4 1/2	115	3	75
CF-TB-60	60	1500	74 1/2	1890	63	1600	1 1/2	40	4 1/2	115	3	75
CF-TB-72	72	1800	82 1/2	2090	71	1800	1 1/2	40	4 1/2	115	3	75



Note: The above data is based on extensive testing and represents standard values. Shaw Almex Industries reserves the right to make changes without prior notice and refuses all claims arising from such changes. All items are subject to change without previous notice.

Updated: Dec. 2011